

MANISCOPIC

MT 1335 SL




- Maximum lifting height : 13 m
 - Capacity : 3500 kg
- Maximum forward reach : 9.40 m
 - Torque convertor
 - Hydraulic stabilizers
 - Frame levelling




MT 1335 SL


 **Lifting capacity**3500 kg
 at 500 mm from forks heels.
 Tipping load at maximum reach :.....1400 kg
 Tear out force with toothed digging bucket
 to ISO 8313-1986 with tilting ram.....7000 daN


 **Lifting height** :13 m
Times : unladen/loaded (in s)
 Lifting.....10.8/11.2
 Lowering.....7.3/7
 Simultaneous extension 1st and 2nd booms ...24.8/25.2
 Simultaneous retraction 1st and 2nd booms....12.7/12.3
 Time unladen (in s)
 Crowd4.3
 Dump.....3.4

 **Tyres**
 400/80 - 24 TL 156 B

 **Forks** (mm)
 Length1200
 Width x thickness125 X 45
 Maximum distance between forks.....1040
 Carriage rotation124°


 **Multidisc brakes - hydraulically on both axles**

 **PERKINS Engine**
 Type.....1104C.44
 Capacity 4 cylindres - 4400 cm³
 Power (ISO/TR 14396) :82 HP/61.5 kw
 at 2200 rpm
 Maximum torque.....302 Nm at 1400 rpm
 Direct Injection
 Water Cooling

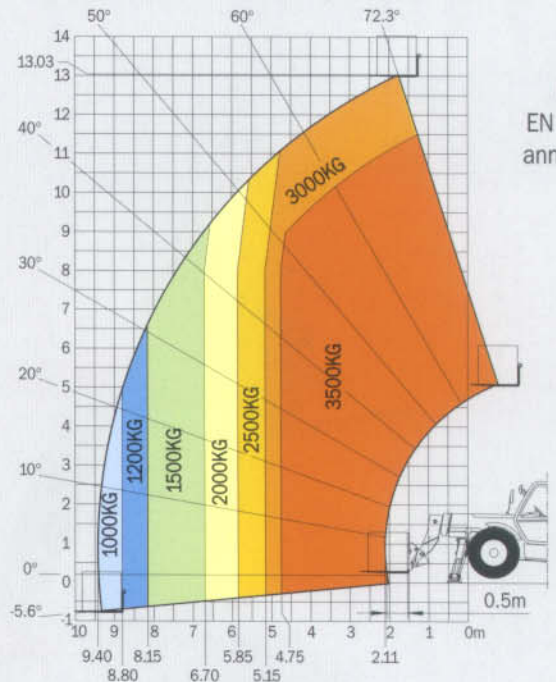
 **Transmission**Torque convertor
 Electro-hydraulic reversing shift
 4 speeds forward and reverse
 Maximum travel speed.....25 km/h

 **Hydraulics**
 Lifting/tilting pump
 gear type260 bars/105 l/mn
 Flow divider with priority to steering and brakes

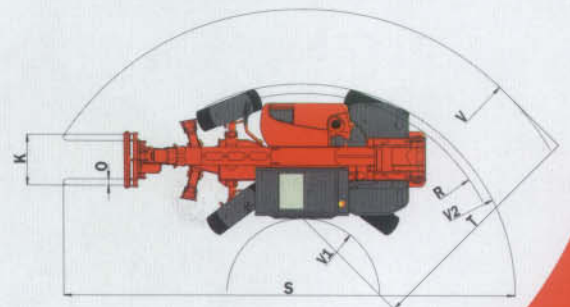
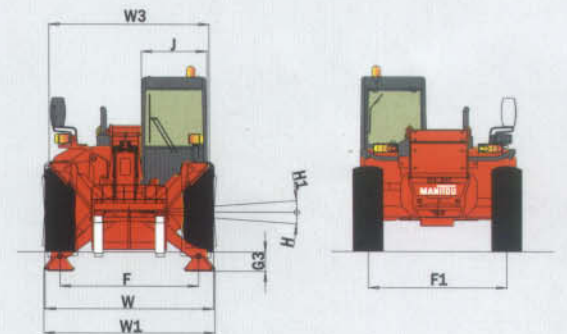
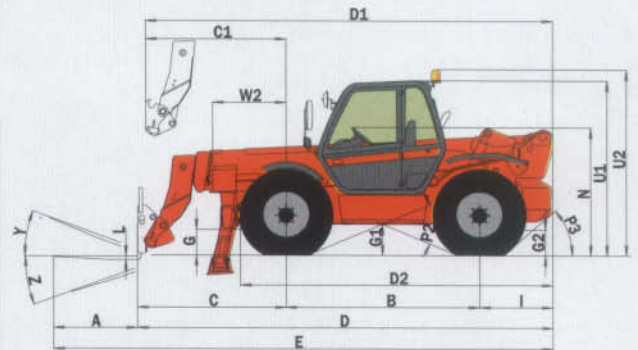
 **Capacities**
 Cooling system18.5 l.
 Engine oil10.5 l.
 Hydraulic oil126 l.
 Transmission oil.....16 l.
 Fuel tank.....135 l.

 **Weight unladen** (with forks)10125 kg
Overall width.....2.39 m
Overall width stabilizers extended2.32 m
Overall height2.58 m
Turning radius (outside wheels).....4.15 m
Length up to carriage.....5.96 m
Ground clearance0.45 m
Drawbar pull7500 daN

Reach at maximum height : 1.88 m



A	1200
B	2770
C	2135
C1	2045
D	5955
D1	5865
D2	4420
E	7155
F	1990
F1	1990
G	450
G1	445
G2	450
G3	275
H	7°
H1	7°
I	1050
J	950
K	1040
L	45
N	1850
O	125
P2	45.5°
P3	40°
R	3870
S	8789
T	4565
U1	2575
U2	2755
V	5650
V1	1450
V2	4070
W	2300
W1	2320
W2	1225
W3	2035
Y	12°
Z	112°



This publication in no way constitutes an offer, and the company reserves the right to alter specification without prior notice. The MANITOU models presented in this brochure can be supplied complete with optional equipment attachments. PATENTS FR 93 14367 - EP 0 656 315 US PENDING

mm



MANITOU B.F. S.A.
 B.P.249 - 44158 ANCENIS CEDEX - FRANCE
 TEL : 33 2 40 09 10 11
 EXPORT DEPARTMENT FAX : 33 2 40 09 10 97
 www.manitou.com